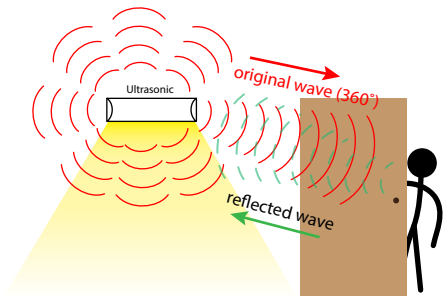




occu-smart® S³ simple sensor solutions

The Titan series is part of our Occu-Smart® S³ product line. Equipped with an ultrasonic motion sensor, the Titan U features bi-level operation with adjustable standby light levels, time delay and sensitivity for maximum energy savings

TTU titan series | ultrasonic motion sensor with adjustable standby



Ultrasonic motion sensors are ideal for stairwells and corridors where 360° coverage can detect motion around barriers such as staircases, workspace partitions, shelves and other obstacles in the area. Recommended for use from 8-12ft mounting

Features and Specifications:

Construction:

- Housings are die-formed of code gauge steel for long-term dependable service
- Knockouts are provided for convenient mounting with recessed or surface power feeds
- Toolless entry and simple removal of board gear tray allow for easy installation and field maintenance
- High impact frosted diffuser

Sensor:

- Ultrasonic motion sensor with adjustable standby
- 5 minute walk test mode
- Standby levels 10, 25 or 50%
- Time delay 1, 5 or 20 minutes

Size Options:

- Available in 2' and 4' lengths (nominal)

Listing & Ratings:

- All electrical components are U.L. listed or recognized

Mounting Options:

- Stem mount or surface mount on ceiling or wall

Driver:

- Universal voltage 120-277V standard
- Custom driver tuning available for specific lumen requirements

Warranty:

- 5 years - part replacement only (see our terms & conditions page at www.lamarled.com for details)

See page 2 for lumen chart & dimensions

Ordering Guide / Example

TTU48M-30

TTU				
Series	Size	Power	CCT	General Options
TTU = Titan with ultrasonic motion sensor with adjustable standby	24 = 2' nominal 48 = 4' nominal	L = Low M = Medium H = High	30 = 3000K 35 = 3500K 40 = 4000K 50 = 5000K	EM = Emergency pack >90 min., >500 lumens (higher output & run time available - consult factory)

Consult factory for additional options not shown or listed

Correlated Color Temperatures (CCTs) fall within the nominal range as per ANSI C78.377A

Project Information:

Job Name: _____ Fixture Type: _____

Catalog #: _____ Date: _____

Comments: _____

Certification & Listings:

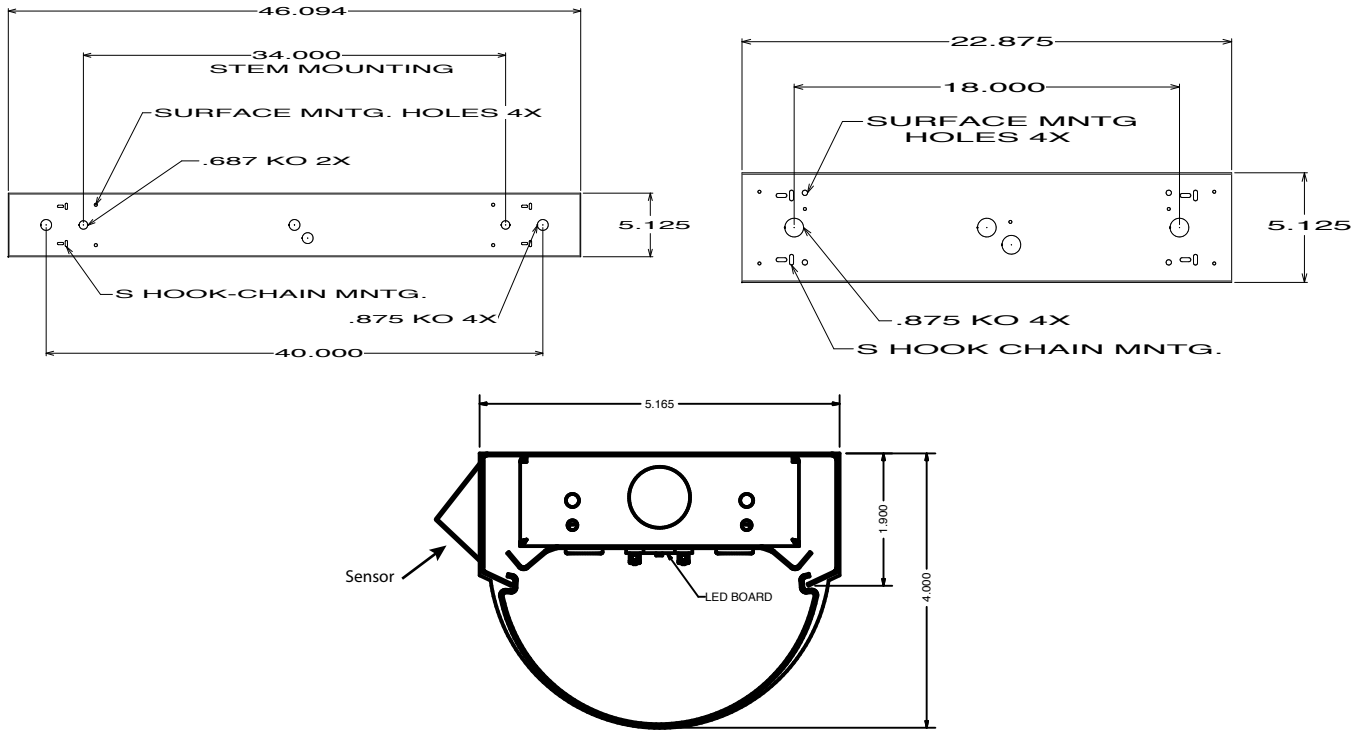




TTU titan series | ultrasonic motion sensor with adjustable standby

BEFORE INSTALLATION, PLEASE CONSULT YOUR LOCAL ORDINANCES AND BUILDING CODES FOR COMPLIANCE

Dimensions

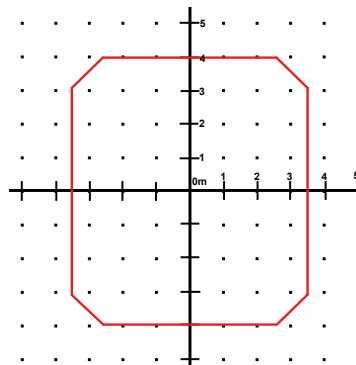


When used in draft prone areas, fixtures with high frequency sensors should be rigidly mounted

LED Lumen/Wattage Chart - 4000K

	Low (L)	Medium (M)	High (H)
2' (1 Board)	10.5W - 1370 lu	13W - 1618 lu	26W - 3045 lu
4' (2 Boards)	23W - 2716 lu	31W - 3462 lu	53W - 5920 lu

Sensor coverage pattern



occu-smart® Protected by one or more US Patents
Nos. 7,271,543 & 7,081,715

LaMar Lighting assumes no responsibility for misapplication of fixtures
Due to the rapid advancements in LED technology, please consult our website for the most current technical data.

Specifications subject to change without notice - Rev 0818