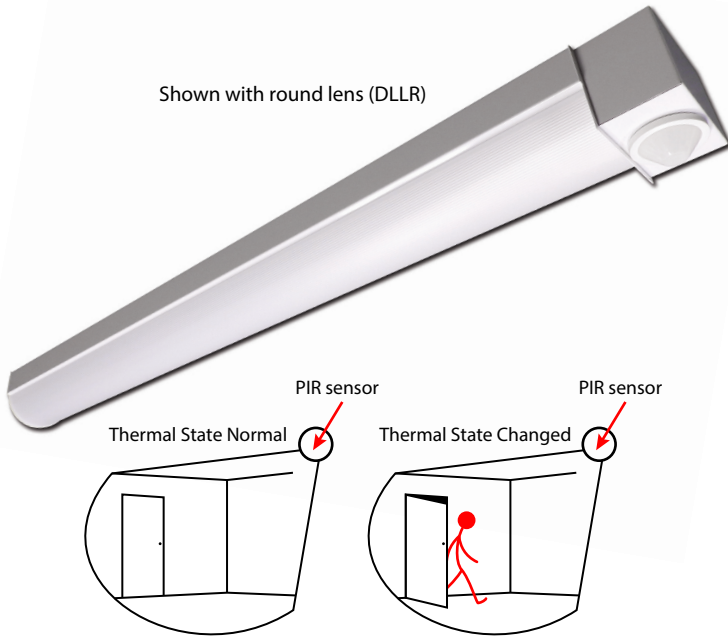




The DLL/DLLR is a multi purpose LED utility luminaire that features high quality LED boards from leading component manufacturers. Equipped with a field adjustable sensor, the DLL/DLLR series is available with or without a custom designed low glare diffuser and is ideal for a broad range of applications from stairwells and parking garages to closets and restrooms

# DLL/DLLR direct led luminaire with infrared motion sensor

Shown with round lens (DLLR)



Passive infrared (PIR) senses occupancy by detecting the difference between the heat emitted from the human body in motion and the background space. Best for use in areas with: an unobstructed view, high air flow, and/or ceiling mount

### Features and Specifications:

#### Construction:

- Housings are die-formed of code gauge steel, optional aluminum construction
- Available with or without custom designed low glare diffuser / square or round
- Internal linear ribbed impact resistant

#### Size Options:

- Available in 2', 4' and 8' lengths (nominal)

#### Sensor:

- Field adjustable
- Ambient light sensing optional
- Choice of lens coverage options
- IRAS - adjustable standby 5-50% (7 settings)
- IR2C - Bi-level 100%/50% or 100%/25%
- IRFO - on/off

#### Listing & Ratings:

- All electrical components are U.L. listed or recognized
- All fixtures are U.L. listed and IBEW union made in the USA
- Meets Buy America Act (ARRA)
- Round lens option is Design Lights Consortium® (DLC) qualified

#### Mounting Options:

- Stem, chain, or surface mount on ceiling or wall

#### Driver:

- Universal voltage 120-277V standard
- Custom driver tuning available for specific lumen requirements

#### Warranty:

- 5 years - part replacement only (see our terms & conditions page at [www.lamarled.com](http://www.lamarled.com) for details)

See page 2 for lumen chart & dimensions

### Ordering Guide / Example

**DLLR24LRAW-30**

RA								
Series	Size	Power	Lens Options	Optional Mounting	CCT	Dimming Options	Sensor Lens Options	General Options
<b>DLL</b> = Square lens <b>DLLR</b> = Round lens	<b>24</b> = 2' nominal <b>48</b> = 4' nominal <b>96</b> = 8' nominal	<b>L</b> = Low <b>M</b> = Medium <b>H</b> = High	<b>RA</b> = Ribbed acrylic	<b>W</b> = Wall mount (sensor aimed down)	<b>30</b> = 3000K <b>35</b> = 3500K <b>40</b> = 4000K <b>50</b> = 5000K	<b>IRAS</b> = Infrared sensor adjustable standby <b>IR2C2</b> = Infrared sensor 2 circuit 100%/25% <b>IR2C5</b> = Infrared sensor 2 circuit 100%/50% <b>IRFO</b> = Infrared sensor on/off	<b>Blank</b> = Blank (std lens) <b>LB</b> = Low bay <b>HB</b> = High bay  See sensor lens options in box on back	<b>EM</b> = Emergency pack >90 min., >500 lumens (higher output & run time available - consult factory) <b>DS</b> = Ambient light sensing <b>DL</b> = Damp location all aluminum construction & conformal coated boards

Consult factory for additional options not shown or listed

Correlated Color Temperatures (CCTs) fall within the nominal range as per ANSI C78.377A  
Round lens option is DLC® qualified

### Project Information:

Job Name: \_\_\_\_\_ Fixture Type: \_\_\_\_\_

Catalog #: \_\_\_\_\_ Date: \_\_\_\_\_

Comments: \_\_\_\_\_

### Certification & Listings:

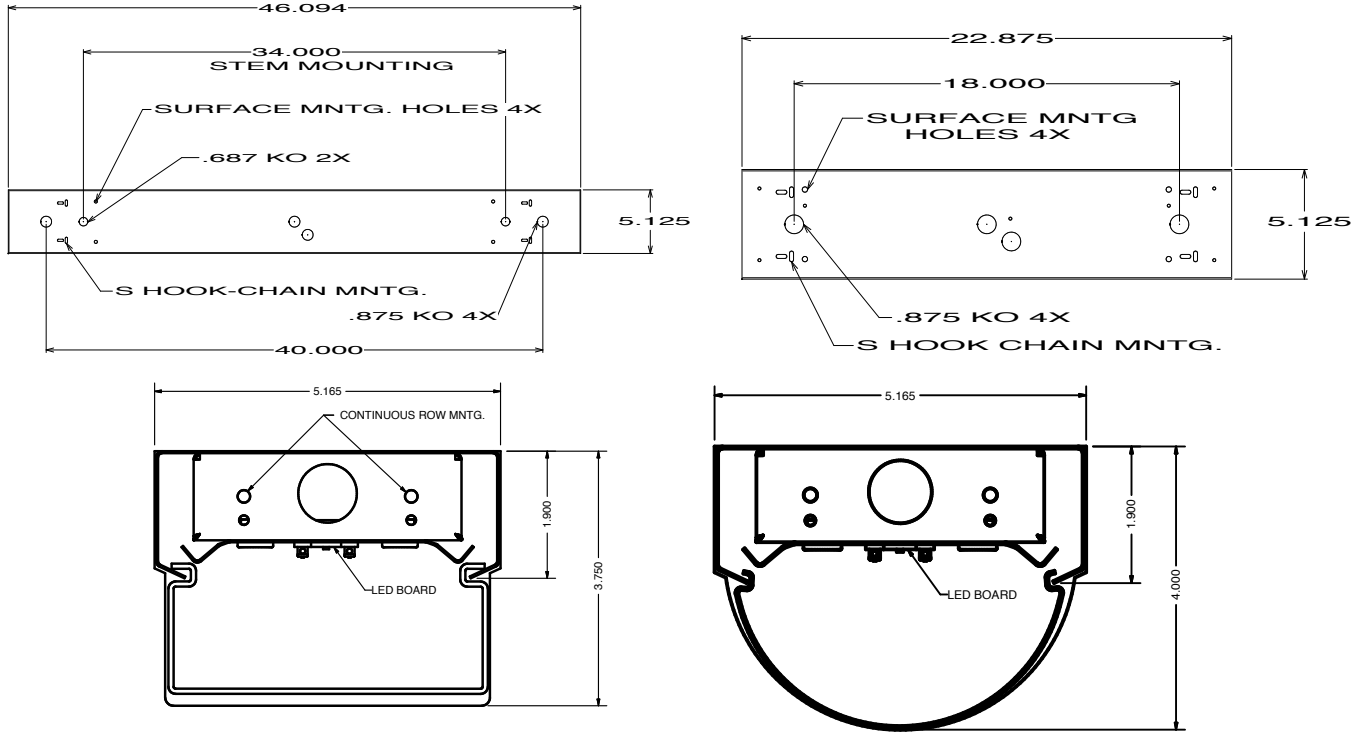




# DLL/DLLR direct led luminaire with infrared motion sensor

BEFORE INSTALLATION, PLEASE CONSULT YOUR LOCAL ORDINANCES AND BUILDING CODES FOR COMPLIANCE

## Dimensions



## LED Lumen/Wattage Chart - 4000K

### LED Wattage Chart (with round lens)

	Low (L)	Medium (M)	High (H)
2' (1 Board)	10.5W - 1370 lu	13W - 1618 lu	26W - 3045 lu
4' (2 Boards)	23W - 2716 lu	31W - 3462 lu	53W - 5920 lu
8' (4 Boards)	42W - 5722 lu	62W - 6925 lu	110W - 11840 lu

### CCT Multipliers

3000K	95.2%
3500K	96.8%
4000K	100%
5000K	103%

## Sensor Lens & Dimming Options

### Dimming Options:

IRAS - adjustable standby (7 settings) 5-50% standby  
 IR2C2 - 100%/25% standby  
 IR2C5 - 100%/50% standby  
 IRFO - on/off

### Sensor Lens Options:

Supplied with standard lens  
 8-10' mounting, 6x height coverage

### Optional Lenses (extra):

**LB** - Low Bay Lens  
 8-15' mounting, 2x height coverage  
**HB** - High Bay Lens  
 8-20' mounting, 4x height coverage

Other lens options available - see website

**occu-smart**® Protected by one or more US Patents  
 Nos. 7,271,543 & 7,081,715

LaMar Lighting assumes no responsibility for misapplication of fixtures  
 Due to the rapid advancements in LED technology, please consult our website for the most current technical data.

Specifications subject to change without notice - Rev 0518