



The BEL series is a decorative luminaire featuring a contoured high transmission acrylic diffuser with distinctive brushed nickel accent ends

BEL belinda



Features and Specifications:

Construction:

- One piece die formed steel body with brushed nickel finish end caps
- Symmetrically contoured diffuser is retained by distinctive accent ends
- Smooth high transmission acrylic diffuser is removable without tools

Size Options:

- Available in 2' or 4' lengths (nominal)

Listing & Ratings:

- All fixtures are ETL listed

Mounting Options:

- Surface mount indoor use only

Driver:

- Universal voltage 120-277V standard

Warranty:

- 5 years - part replacement only (see our terms & conditions page at www.lamarled.com for details)

See page 2 for lumen chart & dimensions

Ordering Guide / Example

BEL24SW-40

BEL		
Series	Size	CCT
BEL = Belinda	24 = 2' nominal	30 = 3000K
	48 = 4' nominal	40 = 4000K

Consult factory for additional options not shown or listed
Correlated Color Temperatures (CCTs) fall within the nominal range as per ANSI C78.377A

Project Information:

Job Name:	Fixture Type:
Catalog #:	Date:
Comments:	

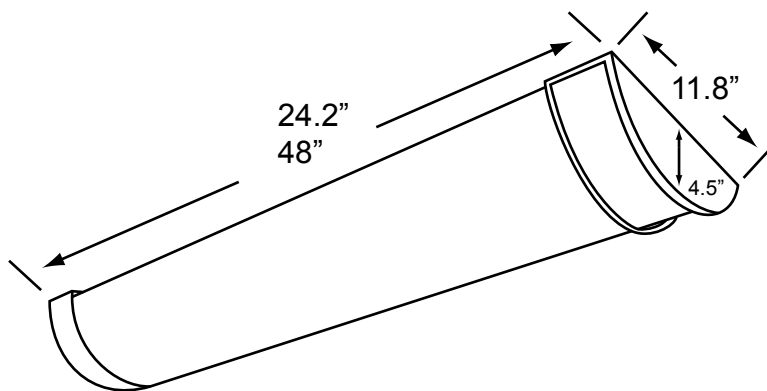
Certification & Listings:





BEFORE INSTALLATION, PLEASE CONSULT YOUR LOCAL ORDINANCES AND BUILDING CODES FOR COMPLIANCE

Dimensions



LED Lumen/Wattage Chart

	2' (36W)	4' (64W)
3000K	2850lu	5200lu
4000K	2950lu	5300lu

LaMar Lighting assumes no responsibility for misapplication of fixtures
Due to the rapid advancements in LED technology, please consult our website for the most current technical data.

Specifications subject to change without notice - Rev 0518